

Overview

Sifam Controls, a division of Devlin Electronics Ltd, is pleased to provide the 07 series push-on encoder knobs. These are precision engineered components designed for use in audio, lighting and video control applications. With an industry standard 6mm D or splined shaft mechanical fitting the 07 series of encoder knobs are equally suited to use on existing products or design-in on new products.

Precision moulding offers a smooth feel over the full range of travel. Besides a range of standard finishes customers may also specify customised configurations to match existing control interfaces or suit the design of new products. The 07 series push-on encoder knobs are supplied as standard with hard or soft touch finishes.

Key Features

- Based upon the ever popular Sifam Controls 05 series
- Competitively priced for reduced material cost
- Smooth precision feel for demanding applications
- Hard or soft touch finishes available
- Suitable for Ø6mm D or Ø6mm splined shafts
- Aimed at style and cost conscious equipment manufacturers
- Illuminated and non-illuminated knobs available

Product Images



10mm Version

<u>Shaft Size</u>	<u>Part Number</u>	<u>Material</u>
6.0mm splined	3/07/TPN100 006/13	Soft
6.0mm x 4.5mm D	3/07/DPN100 006/26	Soft
6.0mm splined	6/07/TPN100 006/13	Hard
6.0mm x 4.5mm D	6/07/DPN100 006/26	Hard

12mm illuminated Version

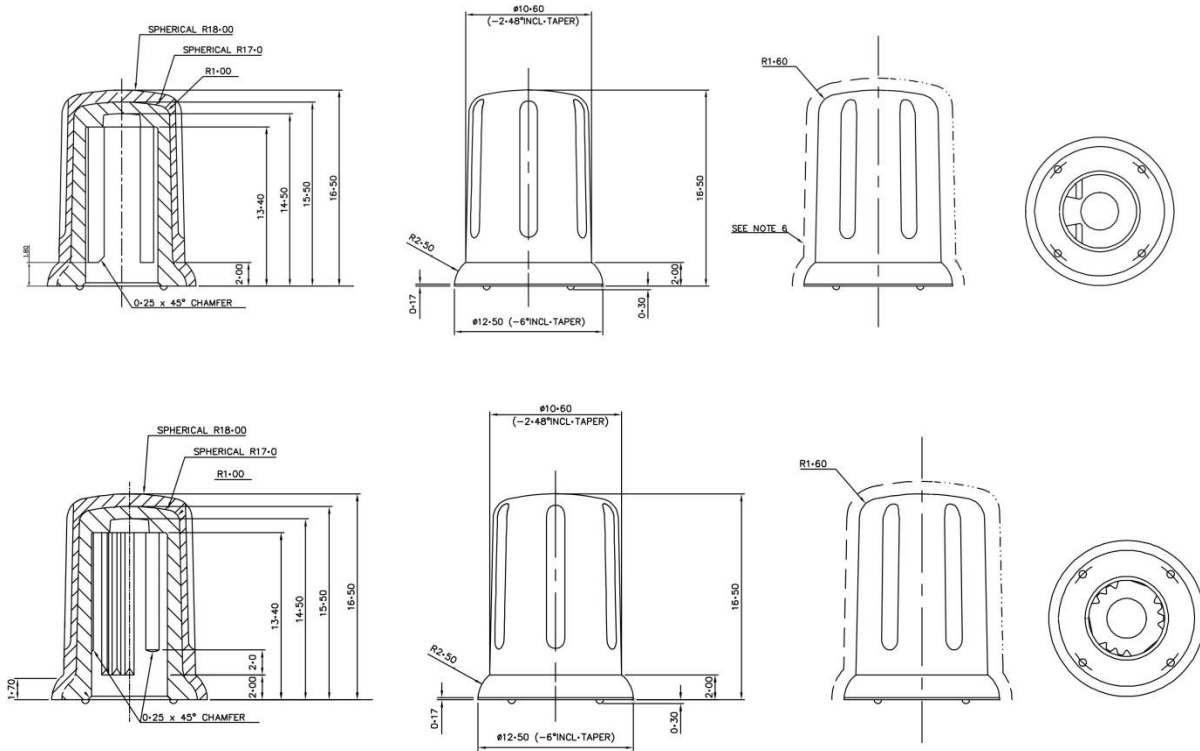
<u>Shaft Size</u>	<u>Part Number</u>	<u>Material</u>
6.0mm splined	3/07/TPN175 006/13	Soft
6.0mm x 4.5mm D	3/07/DPN175 006/26	Soft
6.0mm splined	6/07/TPN175 006/13	Hard
6.0mm x 4.5mm D	6/07/DPN175 006/26	Hard

12mm non-illuminated Version

<u>Shaft Size</u>	<u>Part Number</u>	<u>Material</u>
6.0mm splined	3/07/TPN170 006/13	Soft
6.0mm x 4.5mm D	3/07/DPN170 006/26	Soft
6.0mm splined	6/07/TPN170 006/13	Hard
6.0mm x 4.5mm D	6/07/DPN170 006/26	Hard

Technical Specification

10mm version (D and spline shaft)



12mm version (D and spline shaft)

